

The product represented on this document will conform to the drawings and specifications set out below, in accordance with the express, written Limited Warranty. Purchaser's acceptance of this drawing certifies that the conforming equipment meets the order specifications. No changes may be made to this document without the prior, express, written authorization of the manufacturer.

Group: **ATS**

Type: **Air Purifier**

Date: **May 2021**

Daikin Air Purifier

Unit Nominal Capacity Ranges – 500 CFM and 1000 CFM

Introduction and Features

The Daikin Air Purifier platform includes a range of models that are tailored to provide solutions to those with specific needs and/or applications. Premium models come with HEPA filtration and Economy models come with MERV 13 filtration. Premium and Economy models are both offered in 500CFM and 1000 CFM nominal capacities.



Model Nomenclature

Code Item	1	2	3	4	5
Code Option	DAP	0500	P	0	R

Category	Code Option	Code Designation	Description
Product Category	1-3	DAP	= Daikin Air Purifier
Capacity	4-7	0500	= 500 CFM Nominal
		1000	= 1000 CFM Nominal
Product Class	8	P	= Premium (EC Motor, 3 Speed Selection Switch, 4" MERV 13 Pre-Filter, 12" HEPA Post-Filter)
		E	= Economy (EC Motor, 3 Speed Selection Switch, 2" MERV 8 Pre-Filter, 4" MERV 13 Post-Filter)
Accessories	9	0	= None
Product Type	10	R	= Recirculation

P – Premium (4" MERV 13 Pre Filter, True HEPA Post Filter)

E – Economy (2" MERV 8 Pre Filter, 4" MERV 13 Post Filter)

0 – No Accessories

R – Recirculation

E – Exhaust (duct collar)



Daikin Air Purifier (500 CFM and 1000 CFM)

Specifications

Daikin Air Purifier Models				
Model Type	500 CFM Premium Recirculation	1000 CFM Premium Recirculation	500 CFM Economy Recirculation	1000 CFM Economy Recirculation
Part Number	263666806	263666807	263666808	263666809
Model Number	DAP.0500.P.O.R	DAP.1000.P.O.R	DAP.0500.E.O.R	DAP.1000.E.O.R
Voltage-Hz	120V-60Hz	120V-60Hz	120V-60Hz	120V-60Hz
Output Power (Watts)	250	750	250	750
Max Airflow Rate (CFM)	800	1200	800	1200
* Operational Airflow Rate (CFM)	300-500	450-1000	350-550	500-1000
Low/Med/High Settings (CFM)	300/450/550	450/750/1000	350/450/550	500/750/1000
Dimensions (H x W x D)	48" x 20 ⁷ / ₈ " x 20 ³ / ₄ "	48" x 20 ⁷ / ₈ " x 20 ³ / ₄ "	48" x 20 ⁷ / ₈ " x 20 ³ / ₄ "	48" x 20 ⁷ / ₈ " x 20 ³ / ₄ "
Weight (Lbs)	165	170	146	151
Pre Filter Dimensions (Inches)	18" x 18" x 4"	18" x 18" x 4"	18" x 18" x 2"	18" x 18" x 2"
Post Filter Dimensions (Inches)	18" x 18" x 12"	18" x 18" x 12"	18" x 18" x 4"	18" x 18" x 4"
Pre Filter Efficiency (MERV)	13	13	8	8
Post Filter Efficiency	True HEPA 99.97%	True HEPA 99.97%	MERV 13	MERV 13
Motor Type (EC)	Variable Speed	Variable Speed	Variable Speed	Variable Speed
Motor Power (HP)	0.33	1	0.33	1
Max Current Draw - FLA (Amps)	5.5	14.75	5.5	14.75
Blower Type	Forward Curved	Forward Curved	Forward Curved	Forward Curved
Accessories	None	None	None	None

Notes:

- * Air flow measured at 0.10 ESP (External Static Pressure) using clean pre and post filters. Max rated velocity for HEPA filter is 475 FPM. Max rated velocity for cardboard pleated filters is 550 FPM. Operating above these rated velocities may sacrifice filtration efficiency.

Airflow/Voltage Preset

Unit Model	CFM			Airflow/Control Voltage						Filter Configuration
	Low	Medium	High	Low Motor	Low EVO	Medium Motor	Medium EVO	High Motor	High EVO	
DAP.0500.P.O.R	300	450	550	1.20	0.60	2.40	1.20	3.00	1.5	MEGAcel HEPA
DAP.1000.P.O.R	450	750	1000	2.10	1.05	3.80	1.90	6.50	3.25	MEGAcel HEPA
DAP.0500.P.O.R	300	450	550	1.50	0.75	2.80	1.40	3.40	1.7	ASTROcel HEPA
DAP.1000.P.O.R	500	750	1000	2.60	1.30	4.50	2.25	7.20	3.6	ASTROcel HEPA
DAP.0500.E.O.R	350	450	550	1.20	0.60	1.60	0.80	2.30	1.15	MERV 13 Post Filter
DAP.1000.E.O.R	500	750	1000	1.30	0.65	3.40	1.70	5.50	2.75	MERV 13 Post Filter



Daikin Air Purifier (500 CFM and 1000 CFM)

CFM to Voltage

DAP.0500.P.0.R ASTROcel Airflow/Voltage

Airflow CFM	Motor Voltage	EVO Voltage	RPM	Internal SP	ESP	Total SP
300	1.5	0.75	590	0.13	0.1	0.23
400	2.3	1.15	720	0.23	0.1	0.33
500	3.1	1.55	850	0.36	0.1	0.46
600	3.9	1.95	980	0.52	0.1	0.62
700	4.7	2.35	1110	0.71	0.1	0.81
800	5.5	2.75	1240	0.93	0.1	1.03

DAP.1000.P.0.R ASTROcel Airflow/Voltage

Airflow CFM	Motor Voltage	EVO Voltage	RPM	Internal SP	ESP	Total SP
500	2.6	1.3	840	0.36	0.1	0.46
600	3.5	1.75	980	0.52	0.1	0.62
700	4.4	2.2	1130	0.71	0.1	0.81
800	5.4	2.7	1270	0.93	0.1	1.03
900	6.3	3.15	1420	1.17	0.1	1.27
1000	7.2	3.6	1560	1.45	0.1	1.55
1100	8.1	4.05	1700	1.75	0.1	1.85
1200	9.1	4.55	1850	2.09	0.1	2.19

DAP.0500.P.0.R MEGAcel Airflow/Voltage

Airflow CFM	Motor Voltage	EVO Voltage	RPM	Internal SP	ESP	Total SP
300	1.2	0.6	550	0.09	0.1	0.19
400	2	1	670	0.17	0.1	0.27
500	2.7	1.35	790	0.26	0.1	0.36
600	3.5	1.75	910	0.38	0.1	0.48
700	4.2	2.1	1030	0.51	0.1	0.61
800	5	2.5	1150	0.67	0.1	0.77

DAP.1000.P.0.R MEGAcel Airflow/Voltage Table

Airflow CFM	Motor Voltage	EVO Voltage	RPM	Internal SP	ESP	Total SP
500	2.1	1.05	775	0.26	0.1	0.36
600	2.98	1.49	910	0.37	0.1	0.47
700	3.86	1.93	1045	0.50	0.1	0.60
800	4.74	2.37	1180	0.66	0.1	0.76
900	5.62	2.81	1315	0.83	0.1	0.93
1000	6.5	3.25	1450	1.03	0.1	1.13
1100	7.38	3.69	1585	1.25	0.1	1.35
1200	8.26	4.13	1720	1.48	0.1	1.58



Daikin Air Purifier (500 CFM and 1000 CFM)

CFM to Voltage (Continued)

DAP.0500.E.0.R Airflow/Voltage

Airflow CFM	Motor Voltage	Evo Voltage	RPM	Internal SP	ESP	Total SP
350	1.2	0.6	500	0.05	0.1	0.15
400	1.3	0.65	600	0.06	0.1	0.16
500	2	1	662	0.10	0.1	0.20
600	2.7	1.35	788	0.14	0.1	0.24
700	3.4	1.7	914	0.20	0.1	0.30
800	4.2	2.1	1040	0.26	0.1	0.36

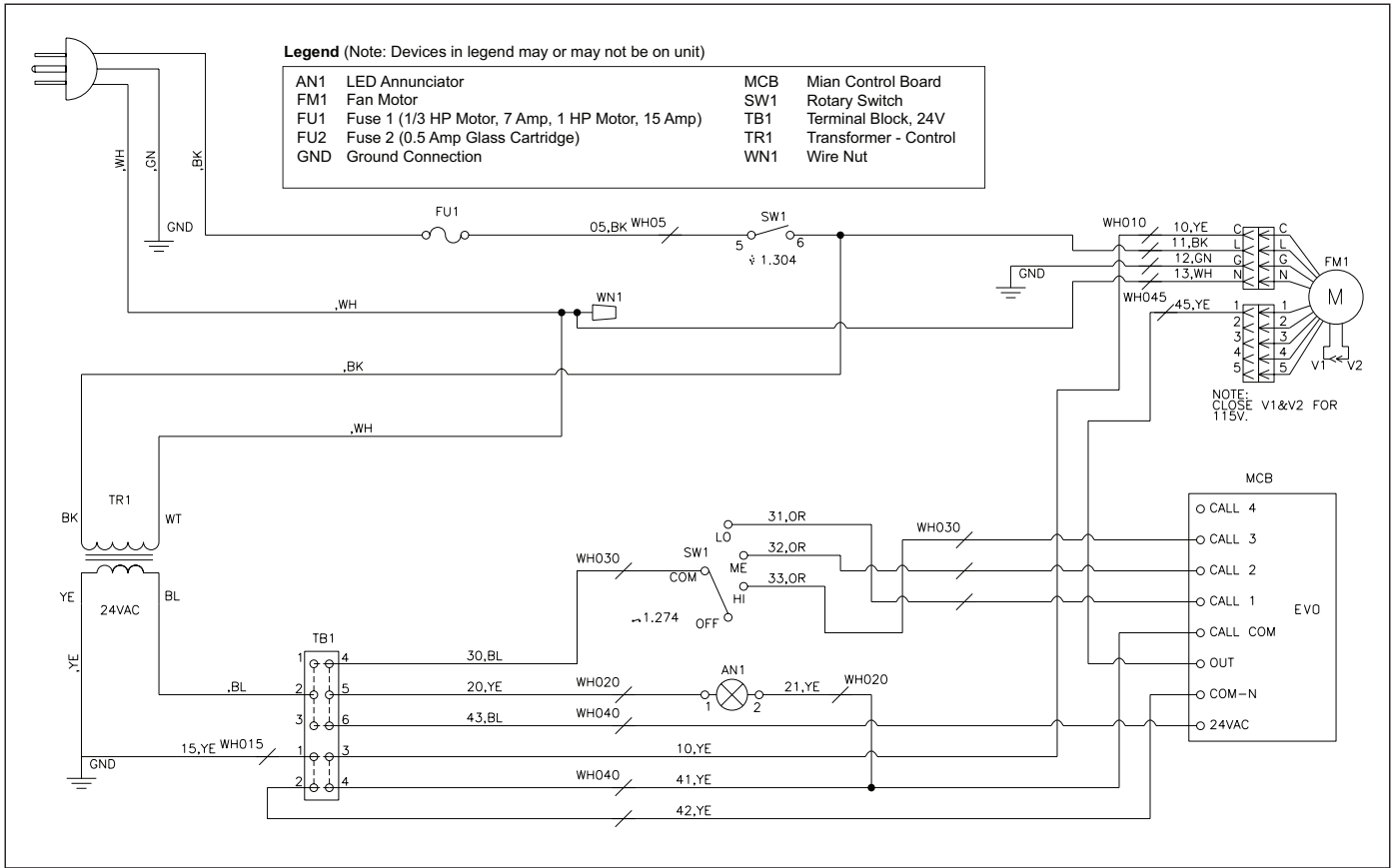
DAP.1000.E.0.R Airflow/Voltage

Airflow CFM	Motor Voltage	Evo Voltage	RPM	Internal SP	ESP	Total SP
500	1.3	0.65	650	0.10	0.1	0.20
600	2.1	1.05	780	0.14	0.1	0.24
700	3	1.5	910	0.20	0.1	0.30
800	3.8	1.9	1040	0.26	0.1	0.36
900	4.7	2.35	1170	0.32	0.1	0.42
1000	5.5	2.75	1300	0.4	0.1	0.5
1100	6.3	3.15	1430	0.48	0.1	0.58
1200	7.2	3.6	1560	0.58	0.1	0.68



Daikin Air Purifier (500 CFM and 1000 CFM)

Wiring Diagram - EC Motor, 120V/60Hz/1PH



Daikin Air Purifier (500 CFM and 1000 CFM)

Dimensions

